



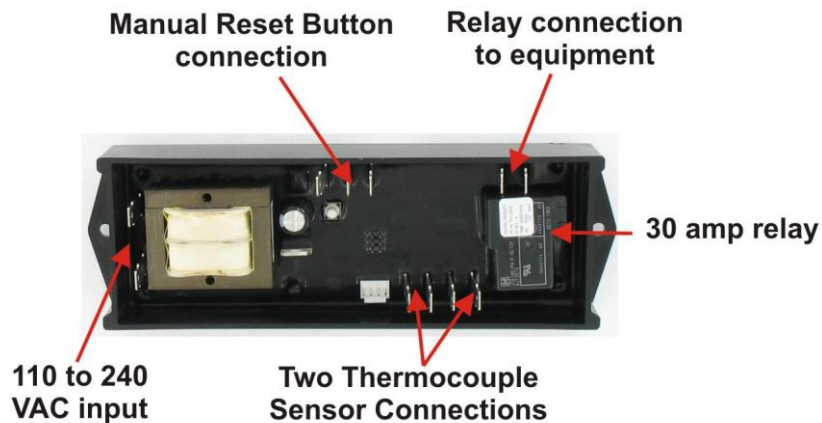
Control Products, Inc.
1724 Lake Drive West
Chanhassen, MN 55317
Toll Free 800-947-9098
952-448-2217 Fax 952-448-1606

For More Information Contact:
Mark Bjornstad, Marketing Manager
952-361-4106
mbjornstad@controlproductsinc.com

Press Release

Control Products Introduces the THLS-8000 High Limit Switch for OEM Applications

Minneapolis, Minnesota – January 25, 2010 Control Products, Inc., a trusted leader in electronic control technology, design and global manufacturing is pleased to introduce the THLS-8000 temperature high limit switch at The AHR Expo in Orlando Florida. This device provides protection for appliances and environments where high temperature generating sources are present. The THLS-8000 is an electronic replacement for existing electro-mechanical controls which have been used in a variety of residential, commercial and industrial appliances for decades. Because of its electronic design, the THLS-8000 is much more accurate than legacy electro-mechanical temperature high limit controls. OEMs will benefit by eliminating typical nuisance service calls generated by crimped liquid filled capillaries.



Temperature high limit controls can be applied to a wide variety of residential and commercial appliances. Examples of residential appliances include furnaces, boilers, space heaters, ovens, dish washers, etc. Commercial applications include packaged HVAC equipment, boilers, humidifiers, various food service equipment, high capacity water heaters, etc. The THLS-8000 provides a far superior level of performance than existing electro-mechanical type high limit switches at a competitive price.

Visit us at controlproductsonline.com for more information on all of our products.

About Control Products, Inc.

Since 1985, Control Products, Inc. has been a leader in electronic control solutions specializing in technology, design, embedded communications with Control Products, Internet connectivity, and global manufacturing. Its products are used in many commercial and consumer applications around the world. Application examples include controls and embedded communications for food service equipment, HVAC, medical, Industrial, residential security, freeze protection and water detection.